



REFRIGERATION

SERVING THE FOOD INDUSTRY SINCE 1951

6 TRAY BLAST CHILLER

Item: 41317

Model: BC-IT-0906



FEATURES:

- Made of stainless steel with internal glossy finish
- 60-mm high density polyurethane foam insulation
- CFC and HCFC free
- Designed with a digital control panel and core probe
- Door switch for stopping the fan
- Removable grids-racks (not included) for easy cleaning
- Electric defrosting system
- Automatic cold storage at the end of the cycle
- Optional germicide lamp or reverse door on order only



Digital Control Panel



Magnetic Seal



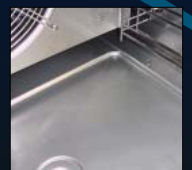
Core Probe



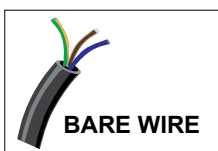
Chamber



Drain



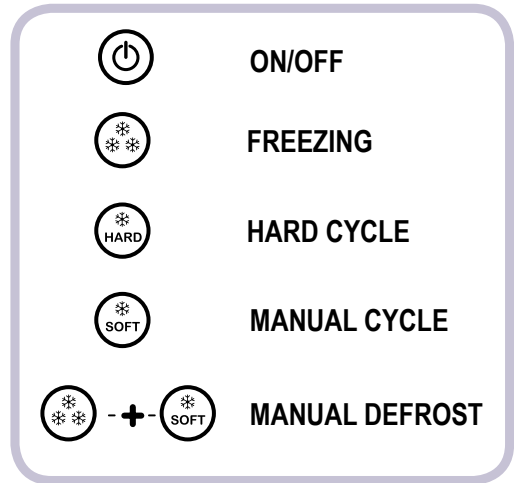
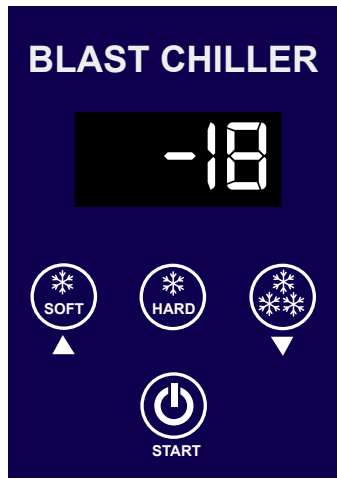
Moulded Bottom



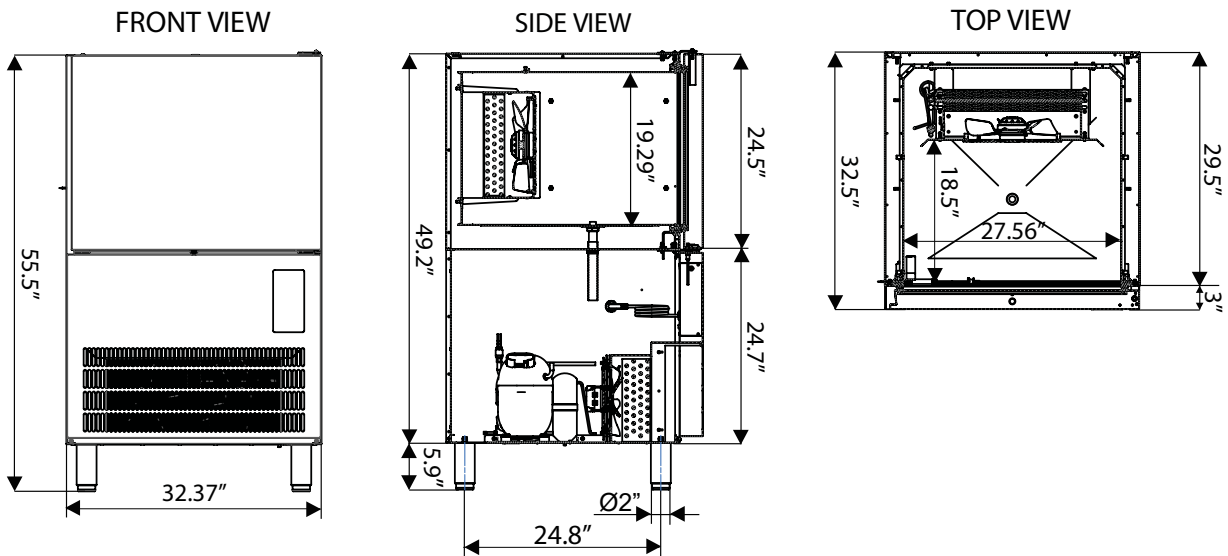
Authorized Dealer

REFRIGERATION

6 TRAY BLAST CHILLER



TECHNICAL DRAWING & DIMENSIONS



TECHNICAL SPECIFICATION			
ITEM	41317	CONSUMPTION	0.992 kW
MODEL	BC-IT-0906	ELECTRICAL	220V/60Hz/1 Ph
INTERIOR DIMENSIONS (DWH)	18.5" X 27.56" X 19.29" 469.9 x 700 x 489.96 mm	AMPS	5.46 Amps
NUMBER OF TRAYS	6	REFRIGERANT	R404A
COOLING CAPACITY	18 kg/ +3 °C 12 kg/ -18°C	PACKAGING WEIGHT	145 kg / 319.7 lbs.
POWER	1.194 kW / 1.60 HP	DIMENSIONS (DWH)	32.5" x 32.3" x 55.5" 825.5 x 820.4 x 1409.7 mm

OMCAN INC.

Telephone: 1-800-465-0234
 Fax: (905) 607-0234
 Email: sales@omcan.com
 Website: www.omcan.com



Follow us to keep up to date with the latest news and offers

